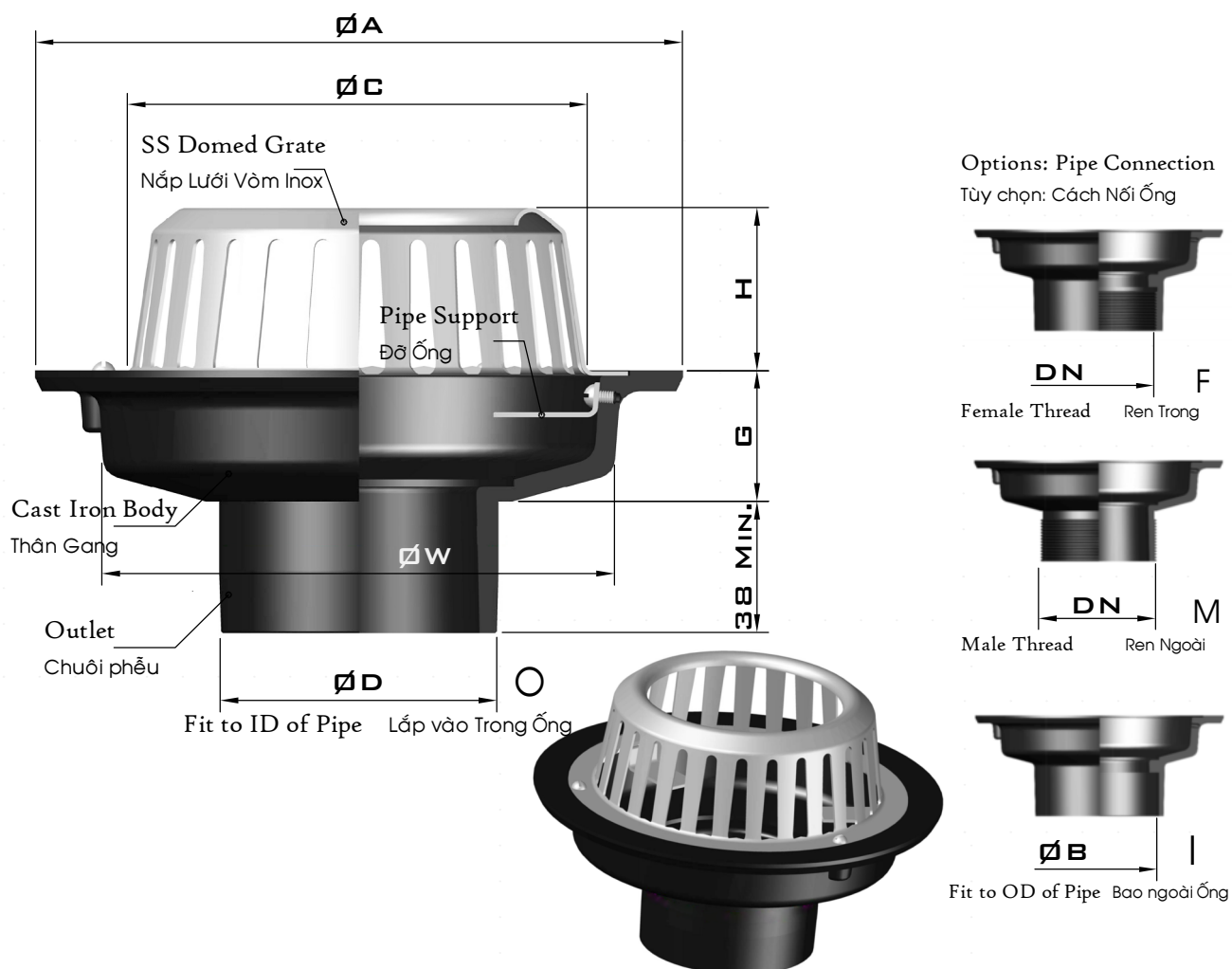


# Balcony Drains

## Bầu Thoát nước Ban Công



### Kiểu R2 Model



Pipe Size	ØA	ØB	ØC	ØD	G	H	ØW	Free Area	Code
Kích thước Ống	(mm)	(mm)	(mm)	(mm)	(mm)	(mm)	(mm)	Diện tích Rãnh thoát	Mã số
(in)	(mm)	(mm)	(mm)	(mm)	(mm)	(mm)	(mm)	(mm <sup>2</sup> )	
DN50	2	125	61	93	51	28	40	4,200	R2060 O 125 R0W1C SUS 304/316
DN50	2	182	61	132	51	38	48	10,000	R2060 O 182 R0W1C Inox 304/316
DN65	2 1/2	182	76	132	67	38	46	10,000	R2075 O 182 R0W1? F/M/O/I
DN80	3	182	90	132	81	38	45	10,000	R2090 O 182 R0W1C
DN100	4	182	110	132	98	38	40	10,000	R2110 O 182 R0W1C
DN100	4	182	115	132	102	38	40	10,000	R2114 O 182 R0W1C
DN125	4	182	141	132	125	38	40	10,000	R2140 O 182 R0W1C
DN125	5	300	141	235	125	67	80	24,000	R2140 O 300 R0W1C
DN150	6	300	160	235	148	67	75	24,000	R2160 ? 300 R0W1C
DN150	6	300	169	235	152	67	75	24,000	R2168 ? 300 R0W1C F/M/O/I
DN200	8	300	200	235	180	67	68	24,000	R2200 ? 300 R0W1C